



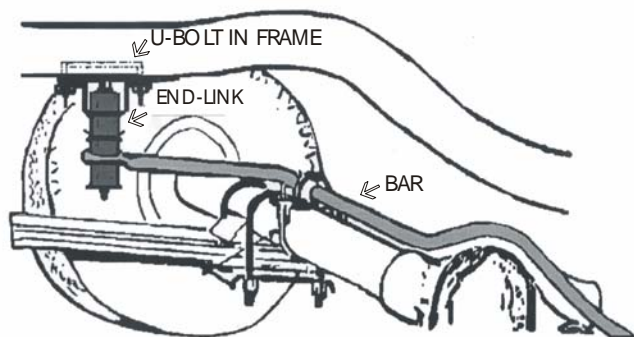
Part #676

- Step 1.** Place the bar in position on top of the axle, dip up arms leading to the rear. On top of the axle towards the shoulder of the bar place the locking device and plate, which will now be between the axle and the bar. Over the bar and aligning with the plate place the bar bracket. Pass the large U-bolt up from below the axle, through the holes in the plate and bar bracket and start the nuts. Be sure that the U-bolt or other parts are between the brake-line and the axle so as not to crush them. Pull the break line away from the axle slightly if needed.
- Step 2.** Place the D-shaped bushing on the bar mid-section and slide it under the bar bracket. Adjust the position of the brackets and U-bolts around the axle so that they give best clearance to shocks, brake-line "T" rear end breather, etc. and so that they hold the bar in the most suitable position along the top part of the axle. The bolts and brackets need not be equally spaced along the axle on the two sides. Tighten the U-bolt nuts sufficiently to keep assembly in position during installation.
- Step 3.** Assemble end-links onto bar ends. Center bolt passes through, washer, rubber bushing, frame bracket, (from inside bracket), rubber bushing, rubber bushing, bar eye, rubber bushing, washer, and finish with the nut. This nut should only be tight enough to keep assembly snug.
- Step 4.** Raise bar arms so that frame brackets are against frame bottom. Mark through holes to the bracket for drilling. Be sure the car is resting on its springs when doing this. Drill holes with a 3/8" drill bit with the same spacing as the short legged square U-bolt.
- Step 5.** Place a nut on the U-bolt and insert the other end into one hole; maneuver until it reappears from the other hole. Pass it through one hole to the base plate and bracket and start another nut. Remove the first nut and replace it having put over the U-bolt the free end of the base plate. Tighten nuts to secure U-bolt plate and bracket.
- Step 6.** Have someone bounce the rear of the car so that you can check for clearance throughout the suspension travel distance. Tighten the nuts on the axle U-bolts to 10 lbs./ft. Check to make sure they are holding secure. Test drives the car and accustom yourself to its new handling. As we cannot supervise your installation or driving, we cannot be held responsible for more than the cost of the kit. **NOTE:** All nuts in this kit are lock-nuts and will have to be turned with a wrench all the way. For best balance and control this kit should be used in conjunction with our front bar.

Hardware

2 RH 013 End-Links	2 RH 405 U-Bolts
8 RH 304 Lock-Nuts	4 RH 104 Flat Washers
2 RH 041 Brackets	2 UB 612D Bushings
2 RH 031 Plates	2 RH 054 Locking Devices
2 RH 043 Brackets	2 RH 402 Square U-Bolts

DIRECTION 676



HOW TO INSTALL A U-BOLT

